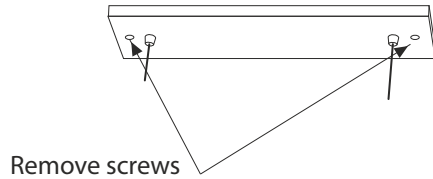




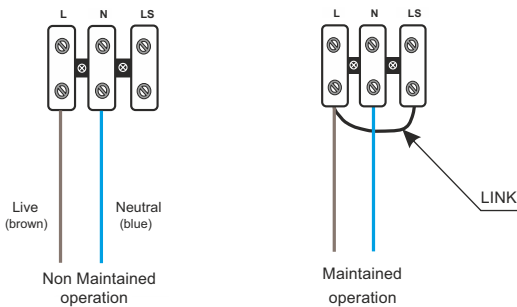
TEEXIT160ESP

1. Remove 2 screws from top housing and connect as shown in step 3.



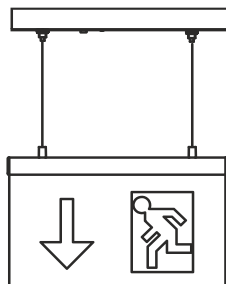
2. Fit gear tray to ceiling.

3. Connect main cable into terminal block.



4. Connect battery pack.

5. Refit top housing to ceiling.



6. Switch on power supply, ensure green LED indicator is illuminated.

Modifications

We don't recommend any modification to this product. We will not accept any responsibility for any modified products or any damage caused as a result of their modification.

Operation and maintenance

Failed lamps **MUST** be replaced promptly or luminaire switched off to avoid possible damage to control gear. Continuous operation at mains voltage in excess of the rated voltage will reduce lamp and expected control gear life. Clean diffuser cover periodically, in warm soapy water

IMPORTANT SAFETY

Before carry out any servicing to this luminaire, ensure that the mains supply is fully isolated. Disconnect luminaire before doing an insulation test of the installation/

PLEASE PASS THIS LEAFLET TO THE END-USER



T: +44 (0) 1274 521550

E: sales@taisolighting.com

F: +44 (0) 1274 521481

W: www.taisolighting.com

Ingleby Road, Bradford, West Yorkshire, BD7 2AT, England

